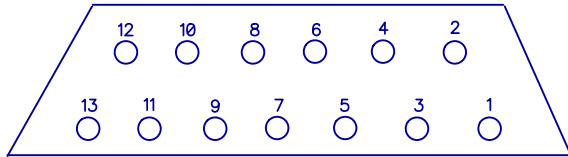
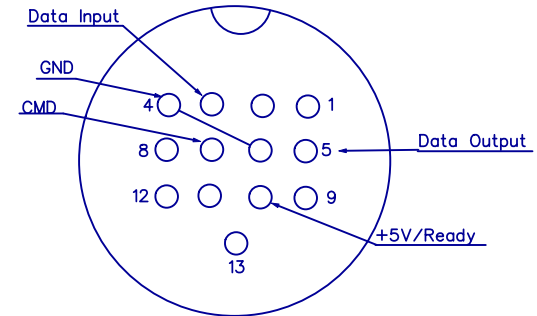


Pinout of SIO cable plug end and SD-130 connector pins



Pin assignment looking at the front of the SIO plug

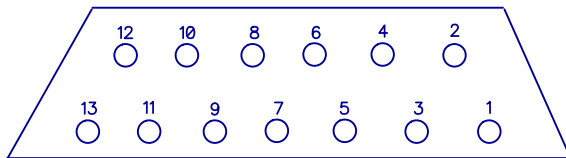
- | | |
|-----------------|------------------|
| 1. Clock Input | 7. Command |
| 2. Clock Output | 8. Motor Control |
| 3. Data Input | 9. Proceed |
| 4. Ground | 10. +5V/Ready |
| 5. Data Output | 11. Audio Input |
| 6. Ground | 12. +12V |
| 13. Interrupt | |



Pin assignment looking at the back short pin side

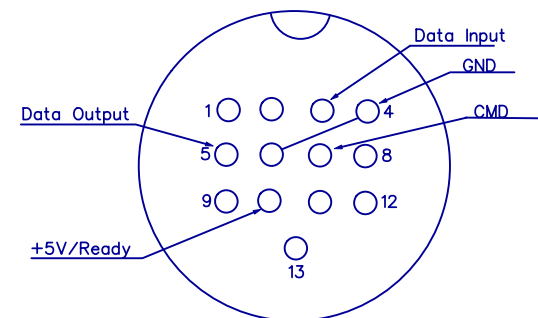
Solder all pins for full operations of other devices.

Pinout of SIO and SD-130 cable plug ends



Pin assignment looking at the front of the SIO plug

- | | |
|-----------------|------------------|
| 1. Clock Input | 7. Command |
| 2. Clock Output | 8. Motor Control |
| 3. Data Input | 9. Proceed |
| 4. Ground | 10. +5V/Ready |
| 5. Data Output | 11. Audio Input |
| 6. Ground | 12. +12V |
| 13. Interrupt | |



Pin assignment looking at the front of the plug

Solder all wires from both plug ends,
matching wires by same number