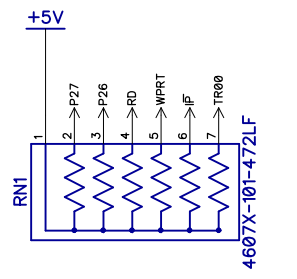
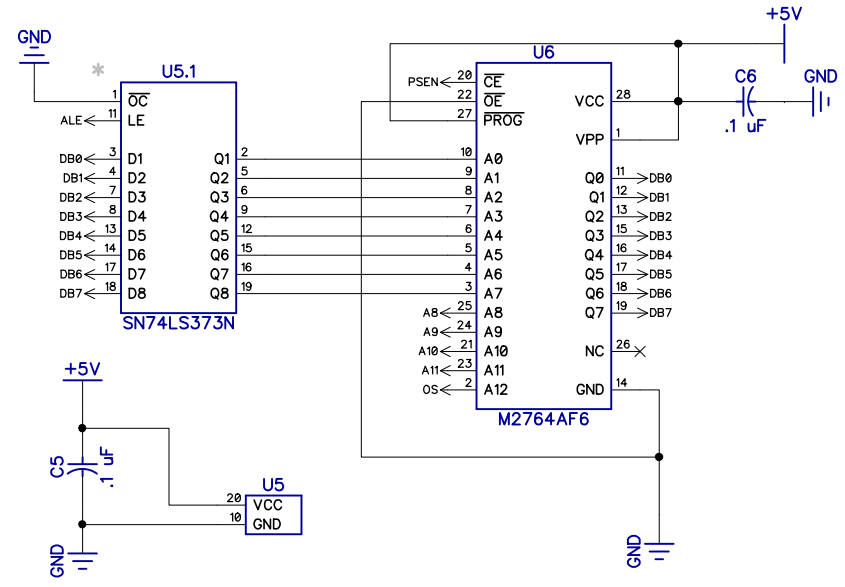
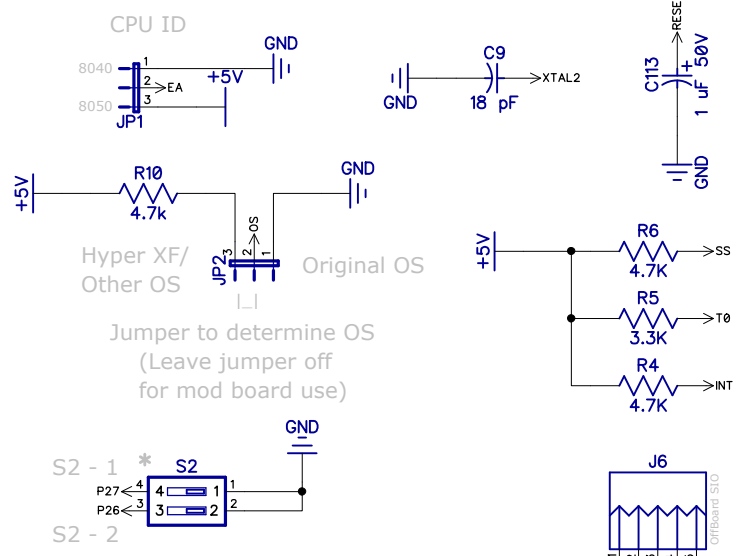
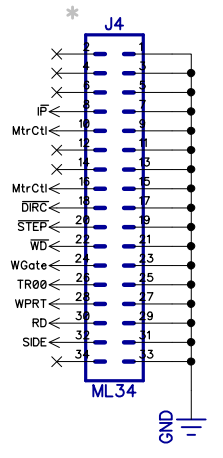
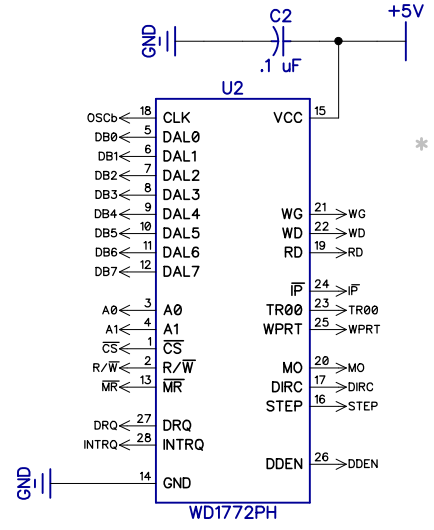
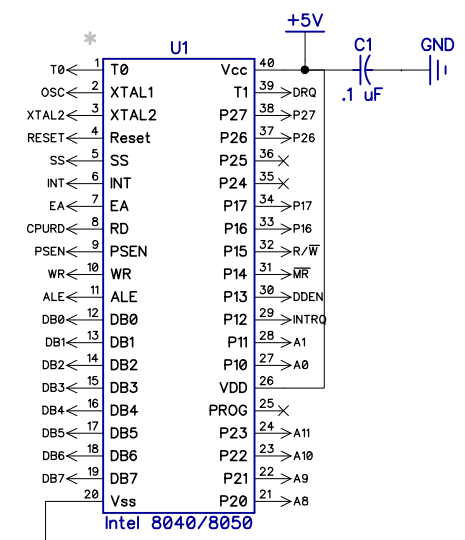
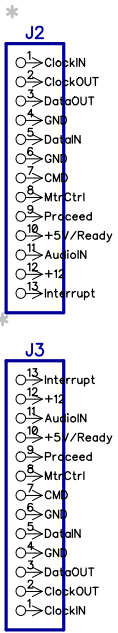


SIO Connectors



Floppy Drive Selector Matrix

S2-1	S2-2	Drive Sel
0	0	1
1	0	2
0	1	3
1	1	4

0 = OFF 1 = ON

Atari XF551 Reimaged Original Disk Drive PCB

Uses mostly original parts where possible.

Added 2in1 OS, aux SIO connection, dual track display and front panel controls

File: XF551OriginalA.dch

SIZE A

FSCM NO.

DWG NO. Final

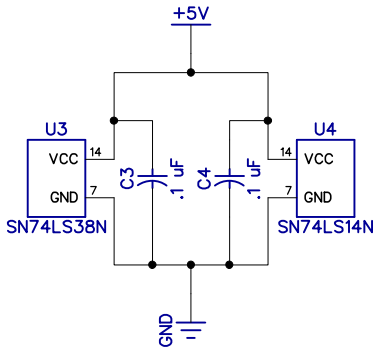
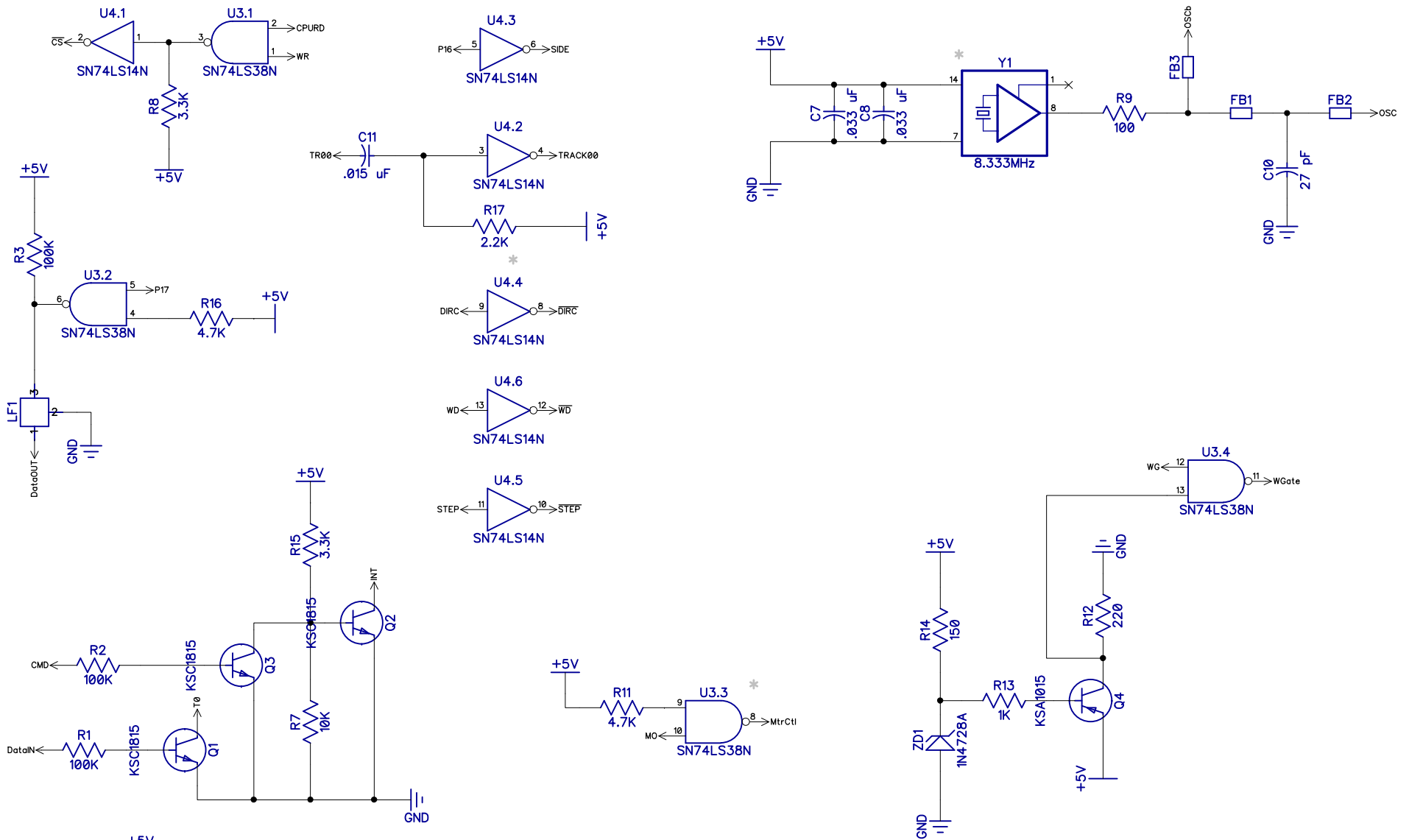
REV 4

Size: 150mm X 120mm

SCALE

Date: 10/20/2023

Main



Atari XF551 Reimaged Original Disk Drive PCB

File: XF551OriginalA.dch

Size: 150mm X 120mm

Uses mostly original parts where possible.

Added 2in1 OS, aux SIO connection, dual track display and front panel controls

SIZE
A FSCM NO.

DWG NO.
Final

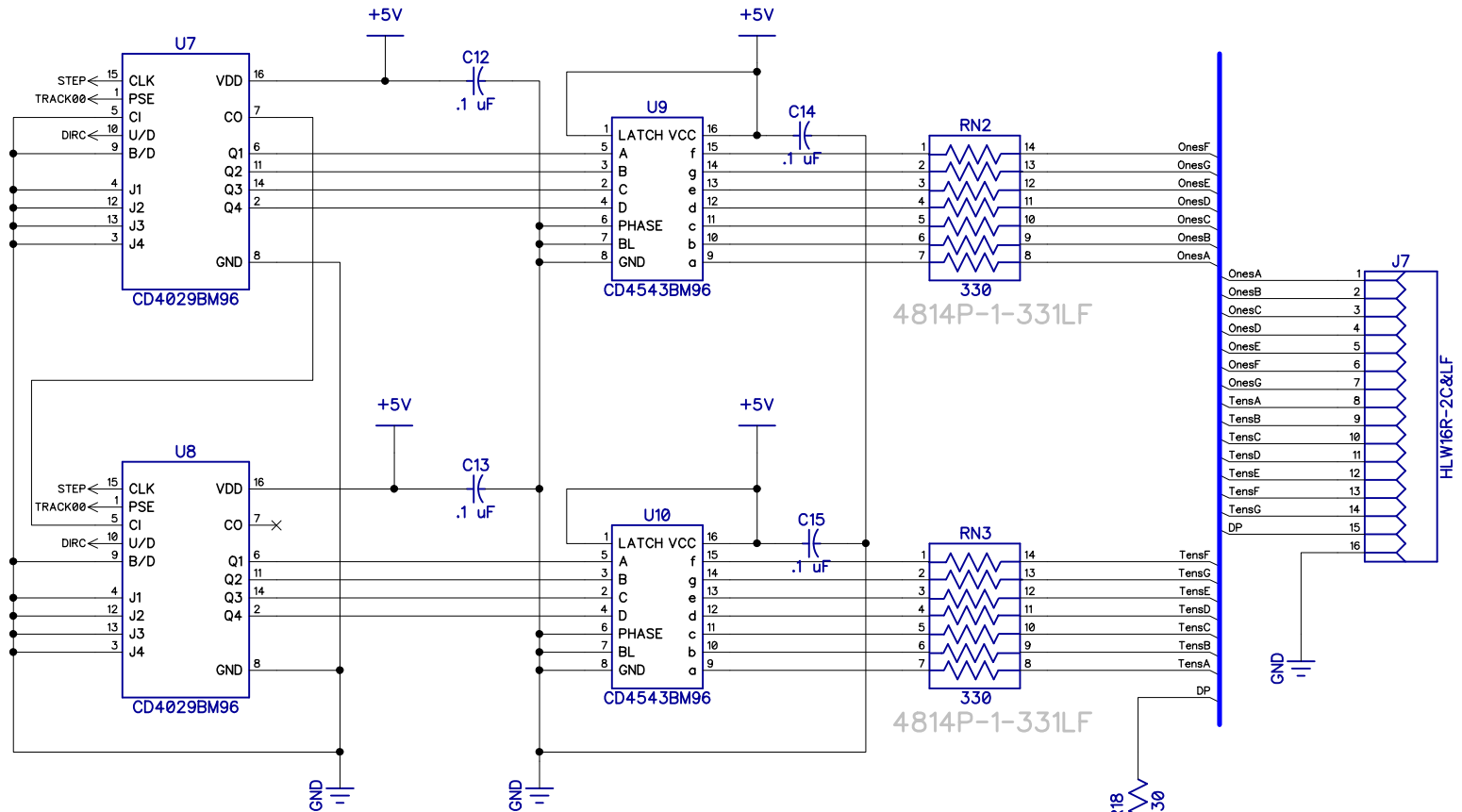
REV
4

SCALE

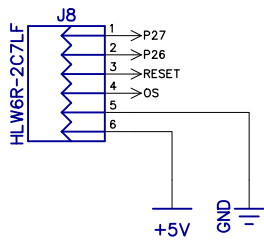
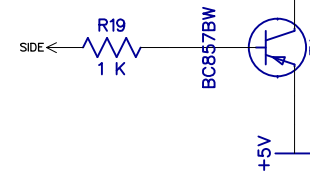
Date: 10/20/2023

Main2

This page of the schematic is optional to populate



Original Track Display design by Pasiu



Front Control

Atari XF551 Reimaged Original Disk Drive PCB

Uses mostly original parts where possible.

Added 2in1 OS, aux SIO connection, dual track display and front panel controls

File: XF551OriginalA.dch

SIZE
A FSCM NO.

DWG NO.
Final

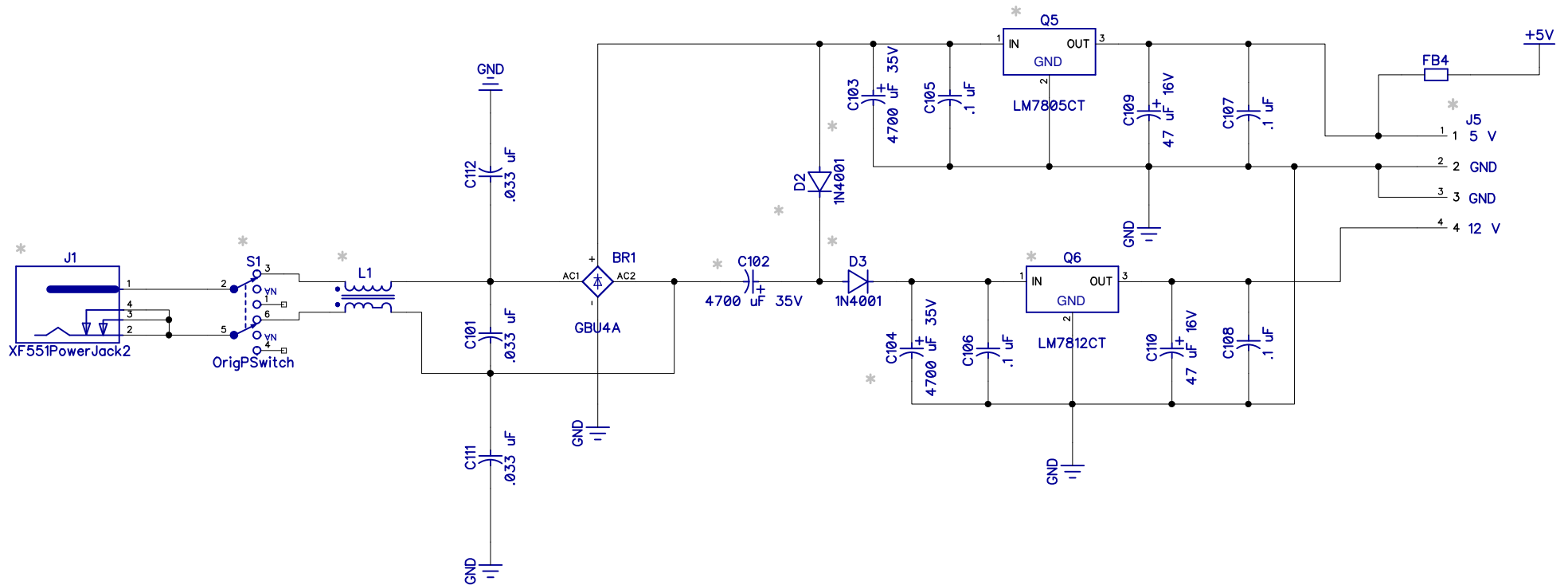
REV
4

Size: 150mm X 120mm

SCALE

Date: 10/20/2023

Track Display



Atari XF551 Reimaged Original Disk Drive PCB

Uses mostly original parts where possible.

Added 2in1 OS, aux SIO connection, dual track display and front panel controls

File: XF551OriginalA.dch

SIZE
A

FSCM NO.

DWG NO.
Final

REV
4

Size: 150mm X 120mm

SCALE

Date: 10/20/2023

Power Supply